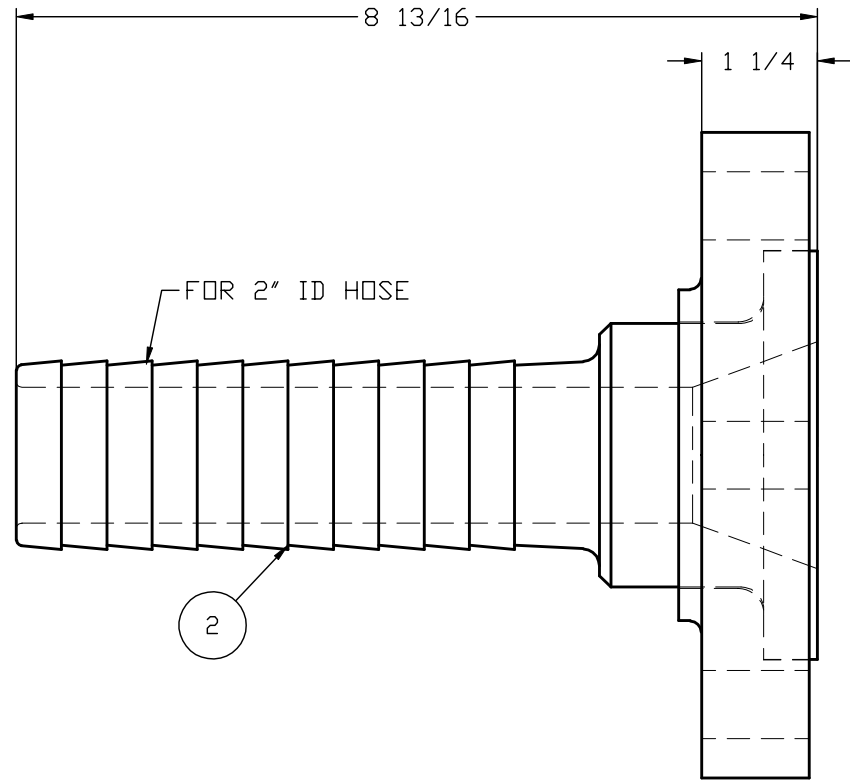
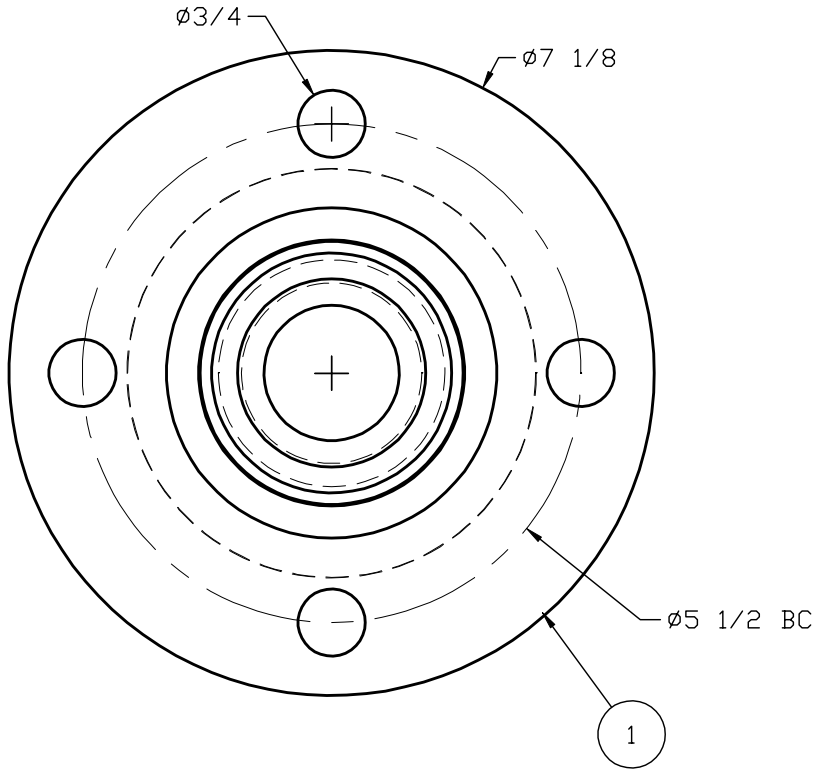


NO.	PART NAME	PART #	REQ'D	MATERIAL
1	FLANGE 2 1/2" 150#	HS252FLP	1	SEE NOTE
2	HOSE BARB 2"	HS225HBP	1	SEE NOTE

NOTE:  
MATERIAL IS SALCO POLYETHYLENE



REV	BY	DATE	DESCRIPTION
A	ACC	1-3-06	ADDED PART INTO THE SYSTEM

UNLESS OTHERWISE SPECIFIED DIMENSIONAL TOLERANCES								
FRACTIONAL	$\pm 1/16$				DRAWN BY: ACC	CHKD BY:	SCALE: 1:1	APPROVAL DATE: 1-3-06
X.XX	$\pm 0.03$				MATERIAL: SEE BOM/NOTE			
X.XXX	$\pm 0.015$				PART NAME: FLANGED HOSE BARB 2 1/2" X 2"			
ANGULAR	$\pm 1^\circ$	<small>THIS PRINT, PROPERTY OF SALCO PRODUCTS, INC. CONTAINS PROPRIETARY INFORMATION AND MUST NOT BE COPIED, REPRODUCED, OR USED IN WHOLE OR IN PART WITHOUT THE WRITTEN PERMISSION OF SALCO PRODUCTS, INC.</small>						
THIRD ANGLE PROJECTION		PROJECT # 030708	PROTOTYPE AND DATE:	APPROVED FOR PRODUCTION: ACC				
		DRAWING #: C19580	PART #: HS25X2FTBPY					