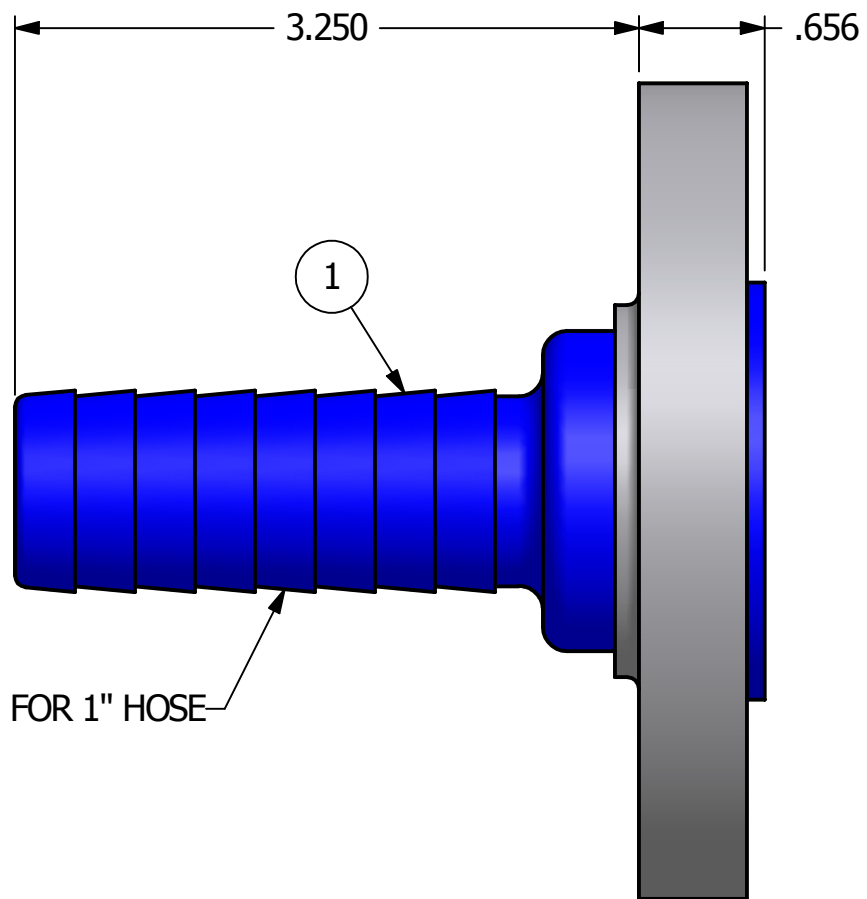
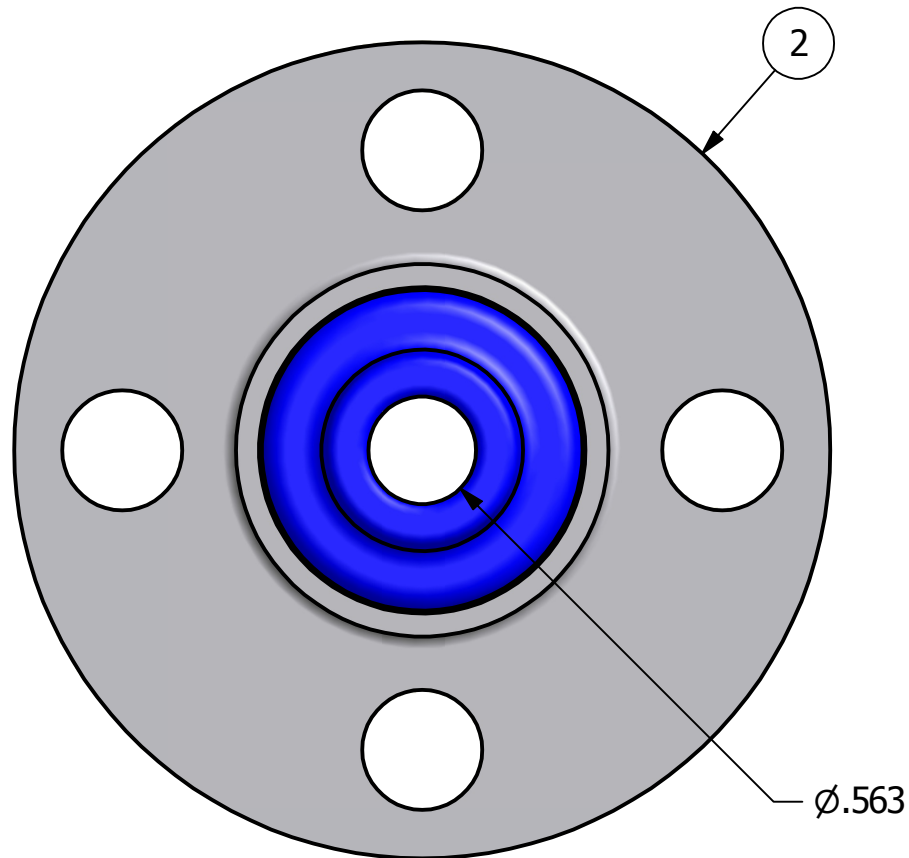


NO.	PART NAME	PART #	REQ'D	MATERIAL
1	FLANGED HOSE BARB 1"	HS1HBP	1	SALCO PE
2	INSERT FLANGE 1" 150 LB	HS1FLS4	1	304 SS



UNLESS OTHERWISE SPECIFIED DIMENSIONAL TOLERANCES  FRACTIONAL: ±1/16 X.XX: ±.03 X.XXX: ±.015 ANGULAR: ±1°  <small>THIS PRINT, PROPERTY OF SALCO          PRODUCTS INC. CONTAINS PROPRIETARY          INFORMATION AND MUST NOT BE COPIED,          REPRODUCED, OR USED DETRIMENTALLY          TO OUR INTEREST.</small>  THIRD ANGLE PROJECTION 	DRAWN BY:	ACC	 A DIVISION OF SALCO PRODUCTS PART NAME: <b>FLANGED HOSE BARB 1"</b>		
	CHECKED BY:				
	PROTOTYPE BY:	ACC	MATERIAL: SEE BOM		
	PROTOTYPE DATE:	12/2/2005	PROJECT #: 030708		
APPROVED FOR PRODUCTION BY:	ACC	SHEET #: 1 OF 1		SCALE: 1:1	
PRODUCTION DATE:	12/21/2005	DRAWING #:	PART #:		
		<b>A21295</b>	<b>HS1FTBSS</b>		