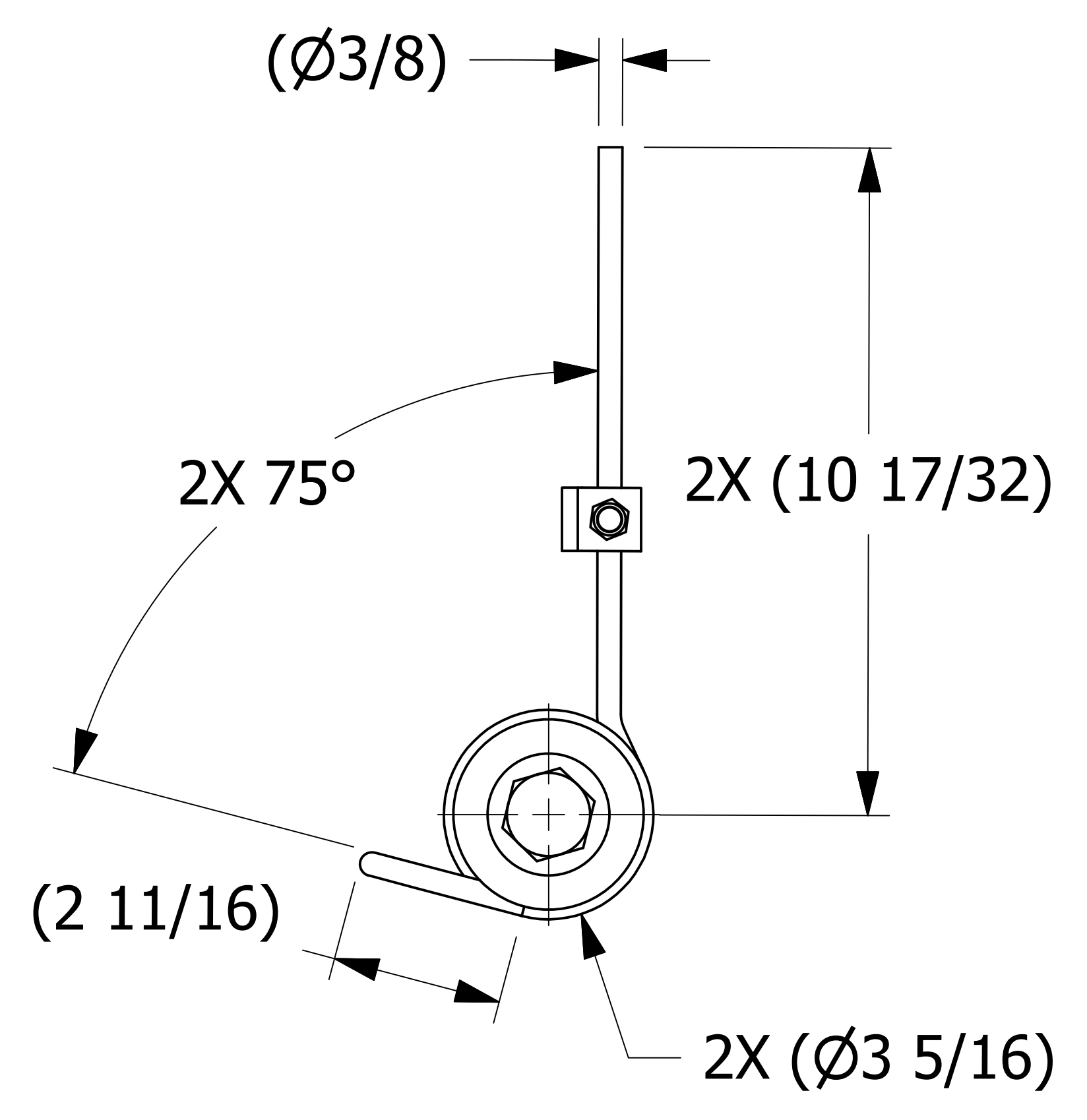
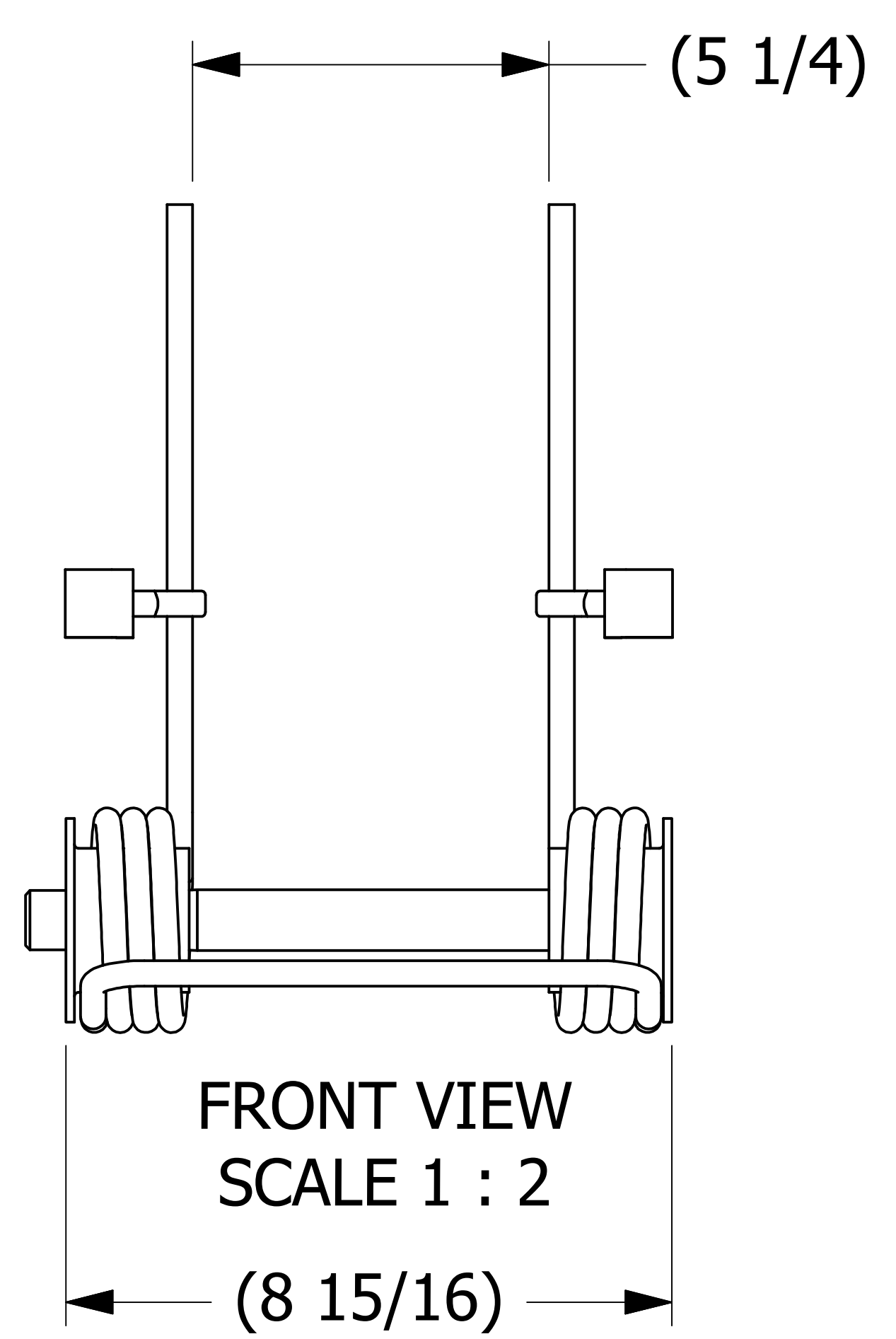
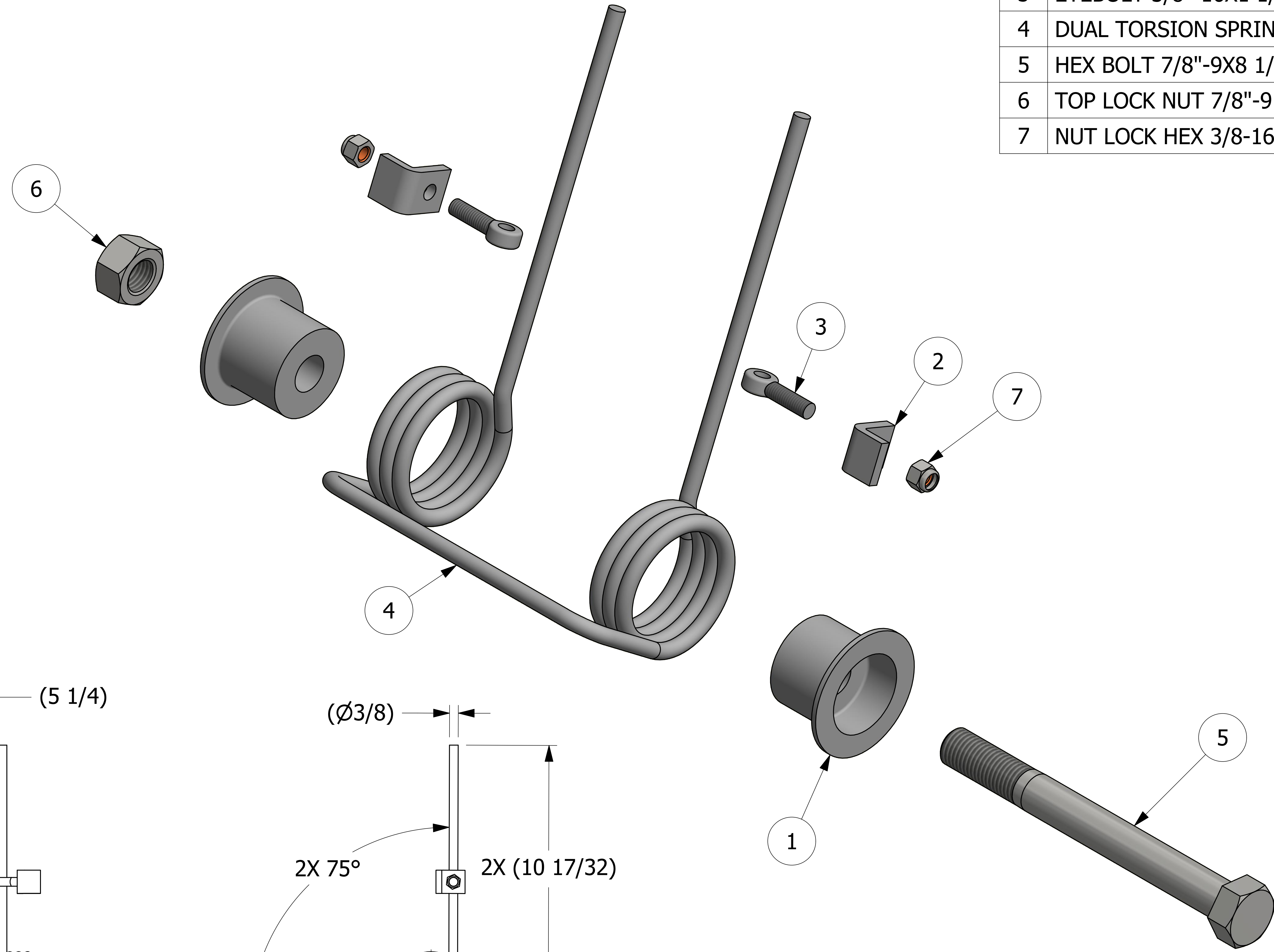


NO.	PART NAME	PART#	REQ'D	MATERIAL
1	BUSHING	A30298	2	CS Z/P
2	ANGLE BRACKET	A30299	2	304/316 SS
3	EYEBOLT 3/8"-16X1 1/2"	A30300	2	18-8 SS
4	DUAL TORSION SPRING	C30452	1	302 SS
5	HEX BOLT 7/8"-9X8 1/2"	HB7885C	1	CS Z/P
6	TOP LOCK NUT 7/8"-9	LN70804	1	18-8 SS
7	NUT LOCK HEX 3/8-16	LN70862	2	18-8 SS



NOTES:
 1. FITS ON TRINITY 20" STYLE MANWAY COVER.
 2. APPROX. TORQUE @ 70° DEFLECTION: 150 FT-LBS

F	WEB	10/28/20	REPLACED LN77798 W/ LN70862
E	WEB	1/15/20	A30300 DESCRIPTION WAS 3/8"-16X1"; UPDATED TITLEBLOCK
D	CHL	4/11/19	UPDATED VIEW OF C30452
C	VD	1/31/13	FRONT AND SIDE VIEW DIMS REVISED.
B	VD	1/29/13	UPDATED VIEW, ADDED DIMS.
A	SMA	8/1/11	NEW DRAWING ADDED TO SYSTEM
REV	BY	DATE	DESCRIPTION

UNLESS OTHERWISE SPECIFIED DIMENSIONAL TOLERANCES FRACTIONAL: ±1/16 X.XX: ±.03 X.XXX: ±.015 ANGULAR: ±1° DEBURR ALL SHARP EDGES. ALL MACHINED SURFACES TO HAVE A 125 RMS FINISH UNLESS NOTED OTHERWISE. THIRD ANGLE PROJECTION	DRAWN BY: VD CHECKED BY: AJB PROTOTYPE DATE: 3/25/2011 APPROVED FOR PRODUCTION BY: AJB PRODUCTION DATE: 8/11/2011 SIZE: E DRAWING #: 30498
--	--

SALCO PRODUCTS, INC.

LIFT ASSIST

SEE BOM

PROJECT #: 110228 SHEET #: 1 OF 1 SCALE: 1:1

PART #: LAD20TR