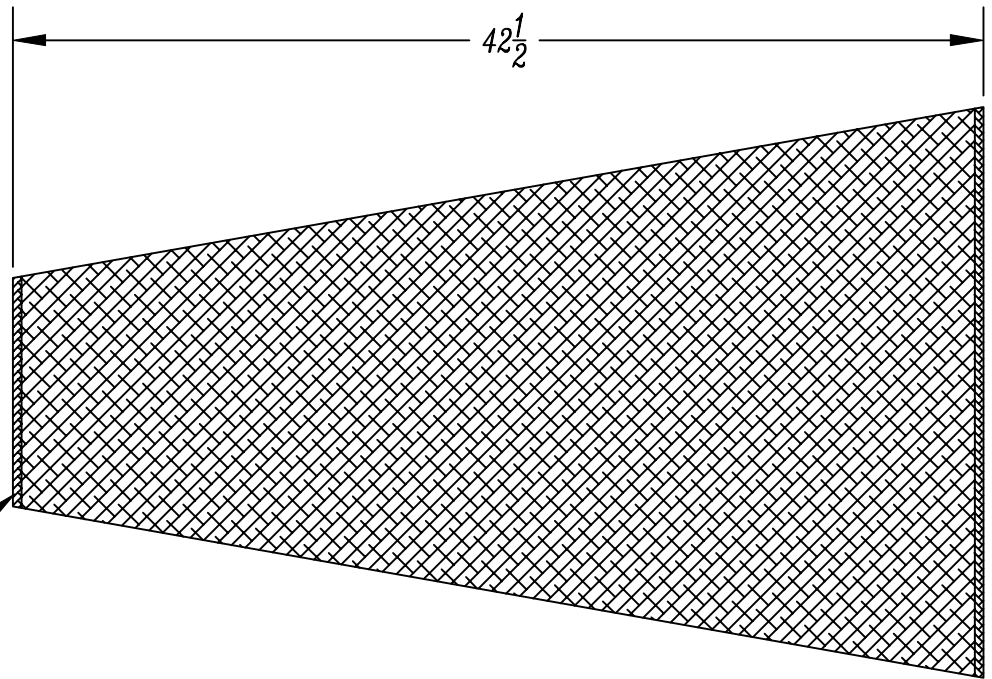


ELASTIC ON
BOTH ENDS



NOTE:

- MATERIAL: 20 oz CEREX NYLON
30 MICRON
- DIAMETERS REPRESENT MAXIMUM STRETCH OF ELASTIC

SALCO PRODUCTS

TRANSITION BAG

**DIMENSIONAL TOLERANCES
UNLESS OTHERWISE SPECIFIED**

FRACTIONAL $\pm 1/16$
 .XX $\pm .063$
 .XXX $\pm .016$
 ANGULAR $\pm 1^\circ$

THIS PRINT, PROPERTY OF SALCO PRODUCTS INC.,
CONTAINS PROPRIETARY INFORMATION AND MUST NOT
BE COPIED, REPRODUCED, OR USED DETRIMENTALLY
TO OUR INTEREST.

FILE OUF205	DRAWN DATE BRW 1-19-96	PART NO. OUF205
MATERIAL SEE NOTE	SCALE 3:16	SIZE B
DIR CYHOPE/EC	DWG NO. B7835	