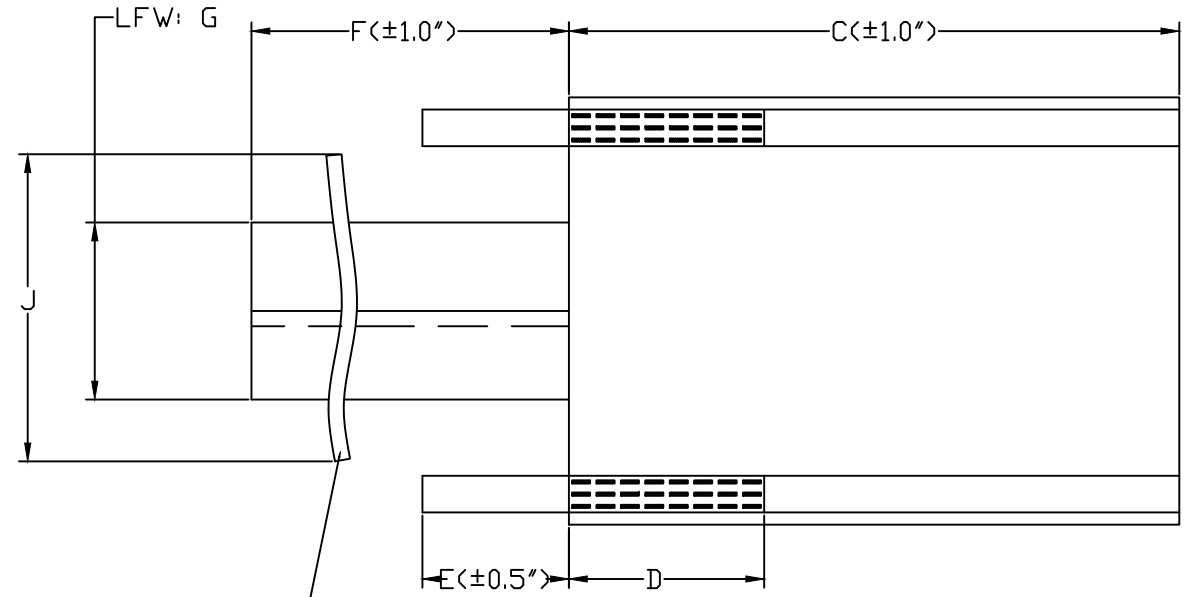
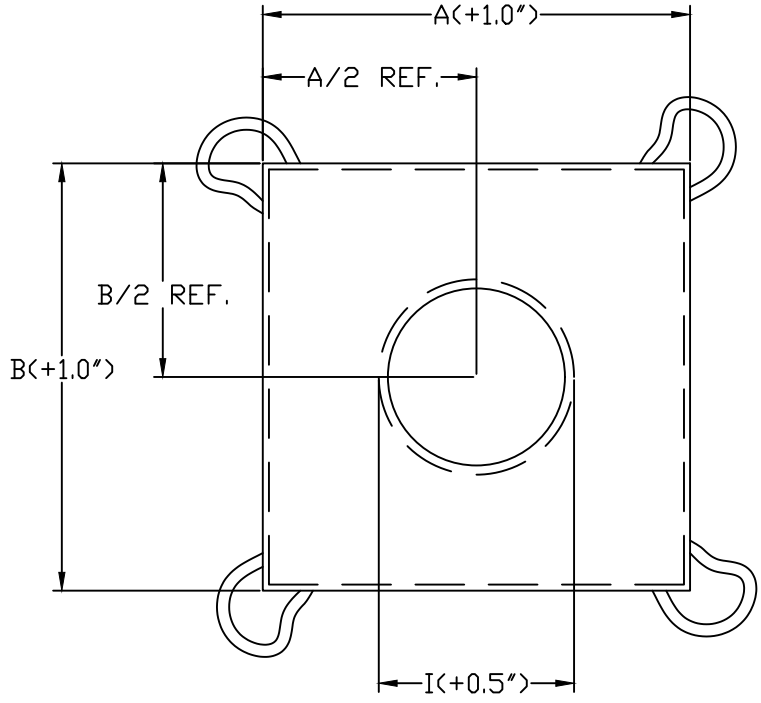
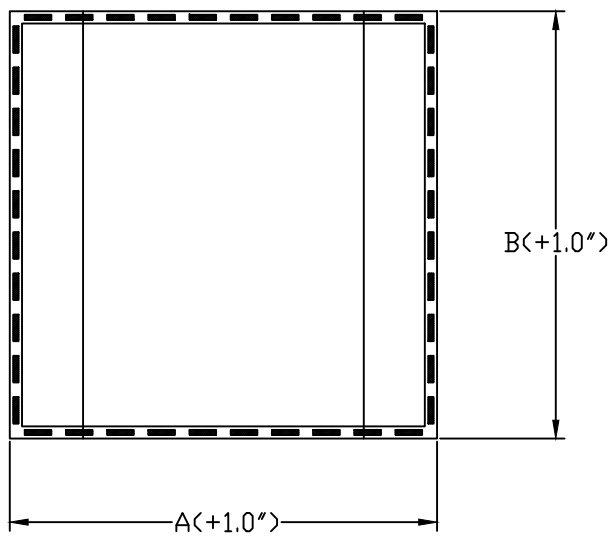


PART NO.	DIMENSIONS										MATERIAL	SPECIFICATIONS
	A	B	C	D	E	F	G	H	I	J		
GDB1000	35'	35'	30'	16"	10'	18'	22"-22.8"	11"	14"	56'	UNCOATED POLYPROPYLENE	SEE NOTE 1
GDB2000	35'	35'	36'	16"	25'	26'	31.5"-32.3"	8"	20"	56'	UNCOATED POLYPROPYLENE	SEE NOTE 2
GDB3000	35'	35'	50'	16"	12'	26'	28.3"-29"	17"	18"	56'	UNCOATED POLYPROPYLENE	SEE NOTE 3



BIAS TAPE. (SEWN H FROM FREE END TO TOP EDGE OF TAPE, $\pm 0.5''$)



- NOTES:
- SWL=2200 LBS.
-12X12 MESH FABRIC.
-FOUR 10" ALL-WHITE LOOPS SEWN 10' APART.
-DOUBLE CHAINSTITCH ON BOTTOM SEAM.
-"SALCO" LABEL SEWN TO TOP SEAM OF BAG.
 - SWL=3200 LBS.
-12X12 MESH FABRIC.
-FOUR 25" ALL-WHITE LOOPS SEWN 10' APART.
-DOUBLE CHAINSTITCH ON BOTTOM SEAM.
-"SALCO" LABEL SEWN TO TOP SEAM OF BAG.
 - SWL=3000 LBS.
-12X12 MESH FABRIC.
-FOUR 12" ALL-WHITE LOOPS SEWN 10' APART.
-DOUBLE CHAINSTITCH ON BOTTOM SEAM.
-"SALCO" LABEL SEWN TO TOP SEAM OF BAG.

REV	BY	DATE	DESCRIPTION
D	RJP	10-30-14	SWITCHED GDB2000 AND GDB3000 DIMS
C	TAK	8-27-13	UPDATED 'G' DIM IN GDB3000 TO 31.5"-32.3" & 'J' DIM FOR GDB1000 TO 56'
B	FDD	6-8-00	ADDED GDB3000 TO THE CHART, ADDED DIMENSION 'J' FOR ALL BAGS AND ADDED NOTE 3
A	CHL	10-7-99	CHANGED NOTES & UPDATED TITLEBLOCK

UNLESS OTHERWISE SPECIFIED
DIMENSIONAL TOLERANCES

FRACTIONAL	$\pm 1/16$
XXX	± 0.03
XXXX	± 0.015
ANGULAR	$\pm 1'$

DRAWN BY: FDD CKD BY: SAB SCALE: 1:4 APPROVAL DATE:

MATERIAL: SEE CHART PART NAME: GRID/DUST RECOVERY BAG

SALCO PRODUCTS, INC. 2D

PROJECT # 971126 PROTOTYPE AND DATE: FDD 3-3-99 APPROVED FOR PRODUCTION:

THIRD ANGLE PROJECTION DRAWING # E13211 PART # SEE CHART

RECEIVED PACKAGING: 4 INNER BALES OF 25 EACH BANDED TO SLIPSHEET.