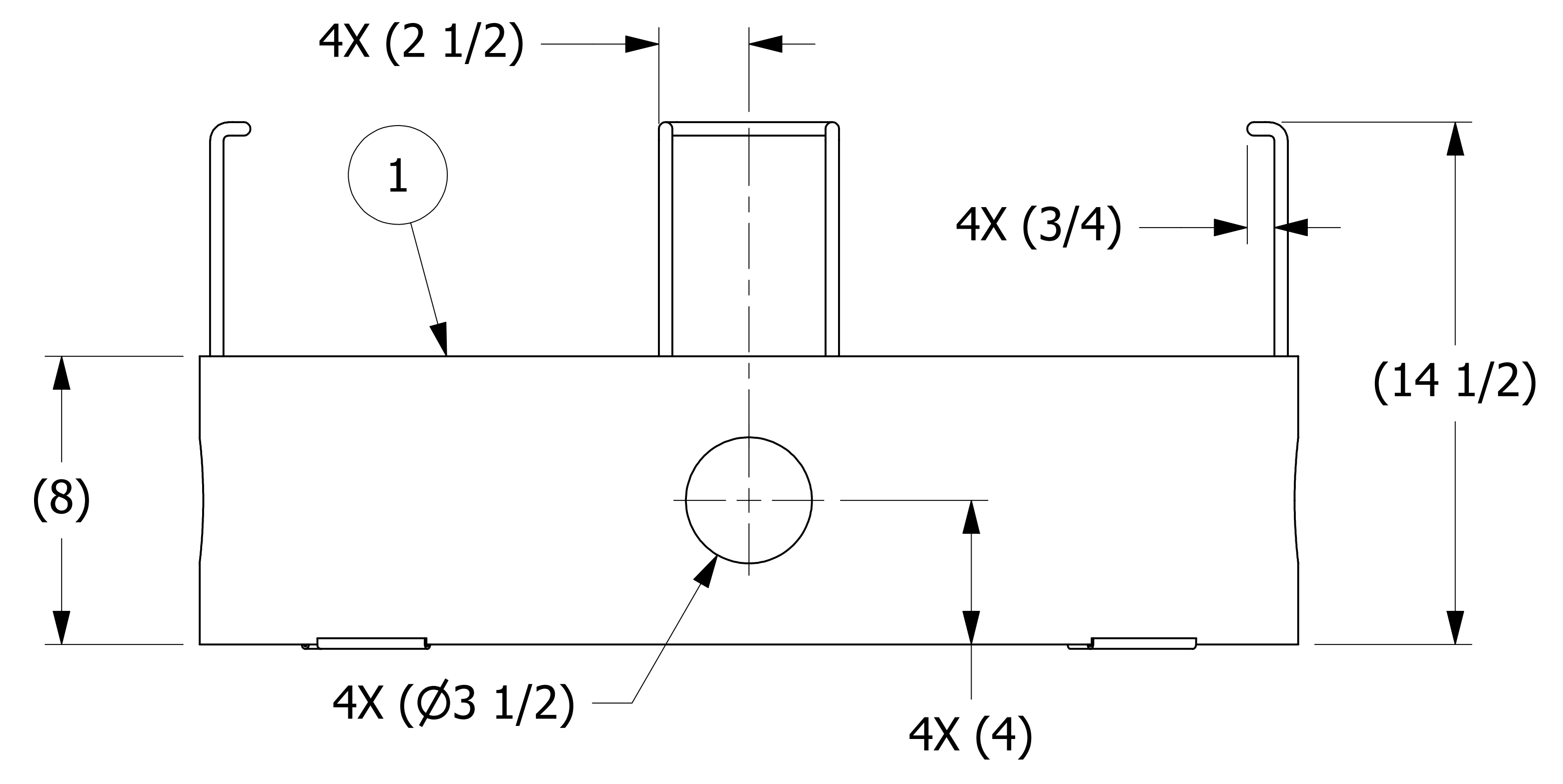
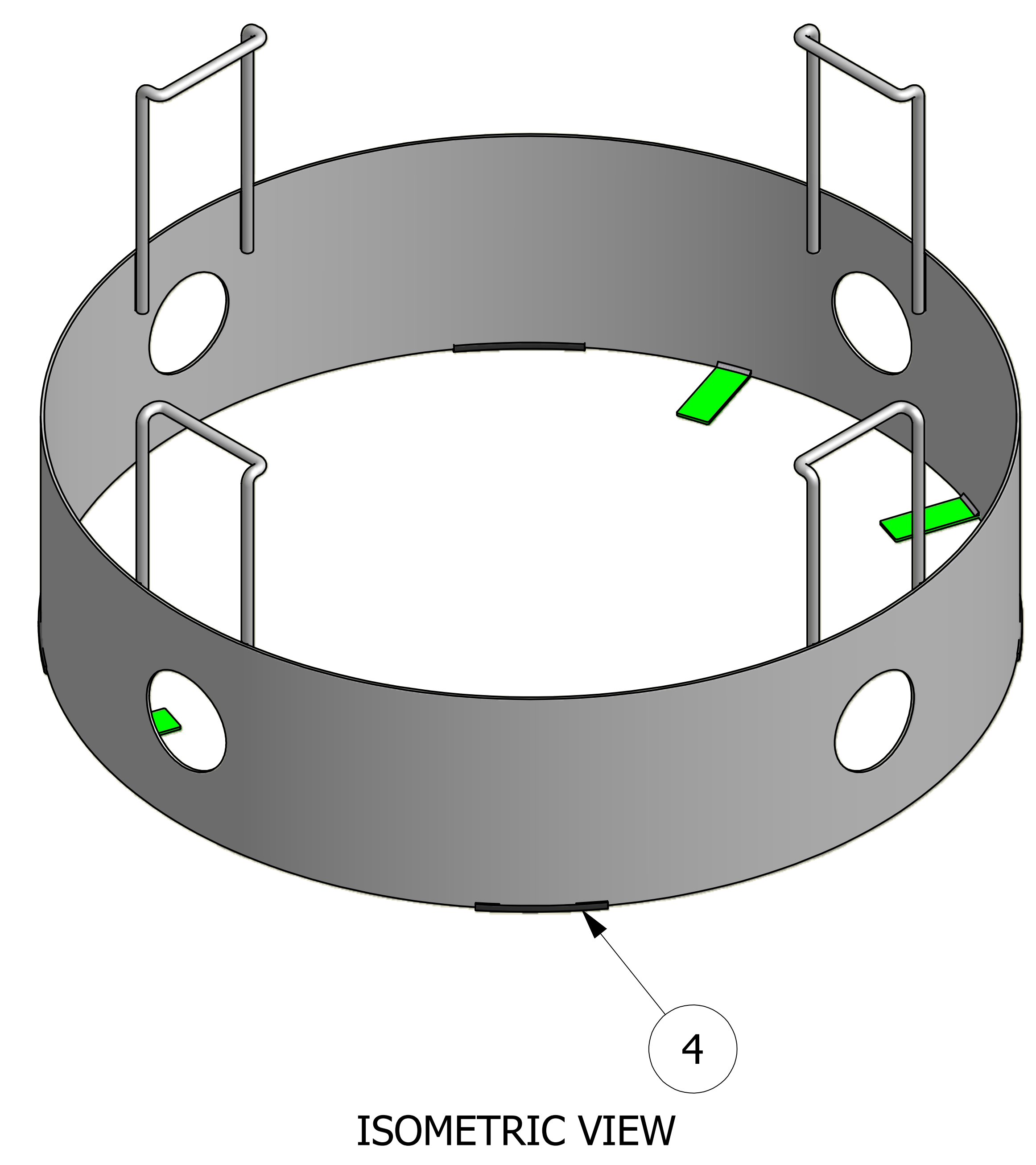
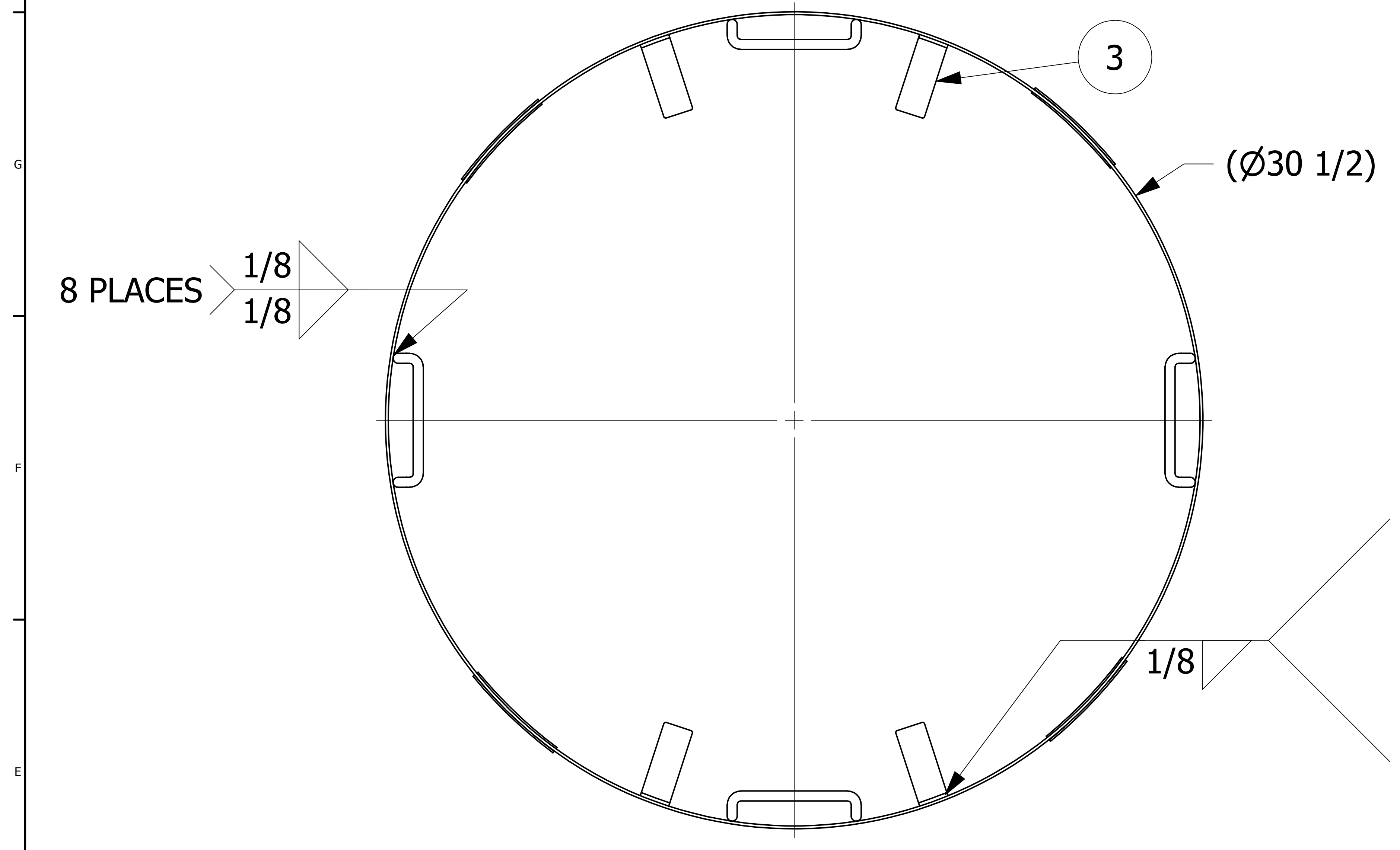


| NO. | PART NAME | PART# | REQ'D | MATERIAL |
|-----|--------------------------|--------------|-------|----------|
| 1 | SECURITY RING 20" | MB20PR04CSNL | 1 | SEE DWG |
| 2 | LABEL | MBPRLBL | 1 | VINYL |
| 3 | PLATE 2 15/16 X 1 1/8 CS | A16574 | 4 | CS |
| 4 | EDGE TRIM 1/8" | A21066 | 4 | NEOPRENE |



- NOTES:
1. APPLY LABEL ON INSIDE THE RING, DO NOT PLACE OVER HOLE.
 2. GLUE EDGE TRIM TO RING.
 3. FITS ON GEOX20775 CAR.

| | | | |
|-----|----|----------|-----------------------|
| A | VD | 07-21-10 | ADDED PART TO SYSTEM. |
| REV | BY | DATE | DESCRIPTION |

| | | |
|---|-----------------------------|----------|
| UNLESS OTHERWISE SPECIFIED DIMENSIONAL TOLERANCES FRACTIONAL: ±1/16 X.XX: ±.03 X.XXX: ±.015 ANGULAR: ±1° DEBURR ALL SHARP EDGES. ALL MACHINED SURFACES TO HAVE A 125 RMS FINISH UNLESS NOTED OTHERWISE. | DRAWN BY: | REH |
| | CHECKED BY: | VD |
| | PROTOTYPE BY: | REH |
| | PROTOTYPE DATE: | 6/3/2010 |
| | APPROVED FOR PRODUCTION BY: | |
| THIRD ANGLE PROJECTION | PRODUCTION DATE: | |

SALCO PRODUCTS, INC.

PART NAME: **SECURITY RING 20"**

MATERIAL: **SEE BOM**

PROJECT #: **080922** SHEET #: **1 OF 1** SCALE: **3:8**

DRAWING #: **E28892** PART #: **MB20PR04CS**