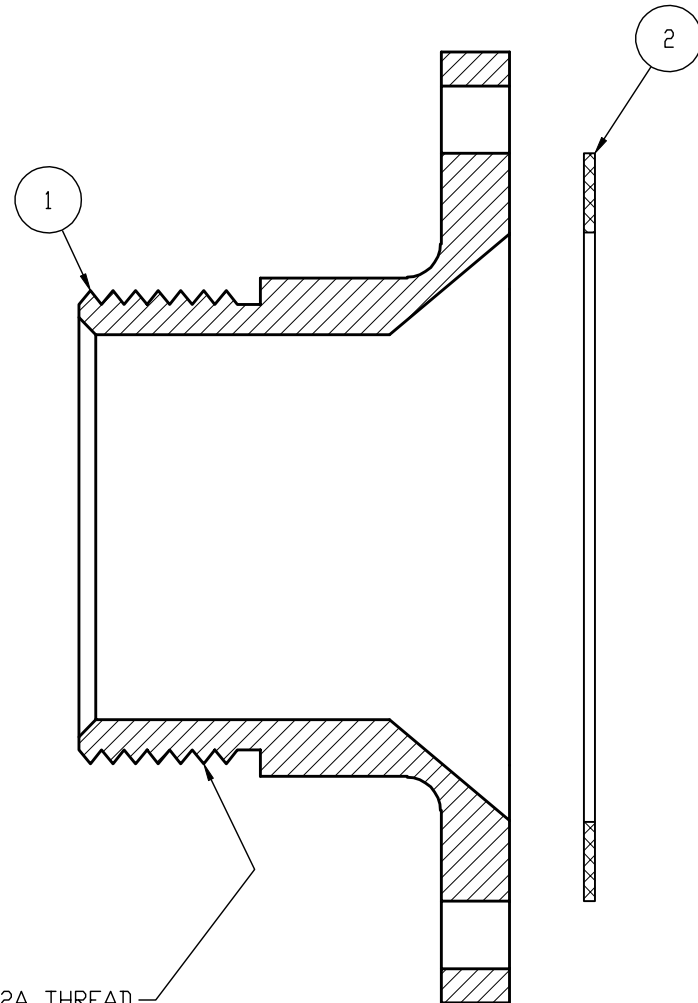
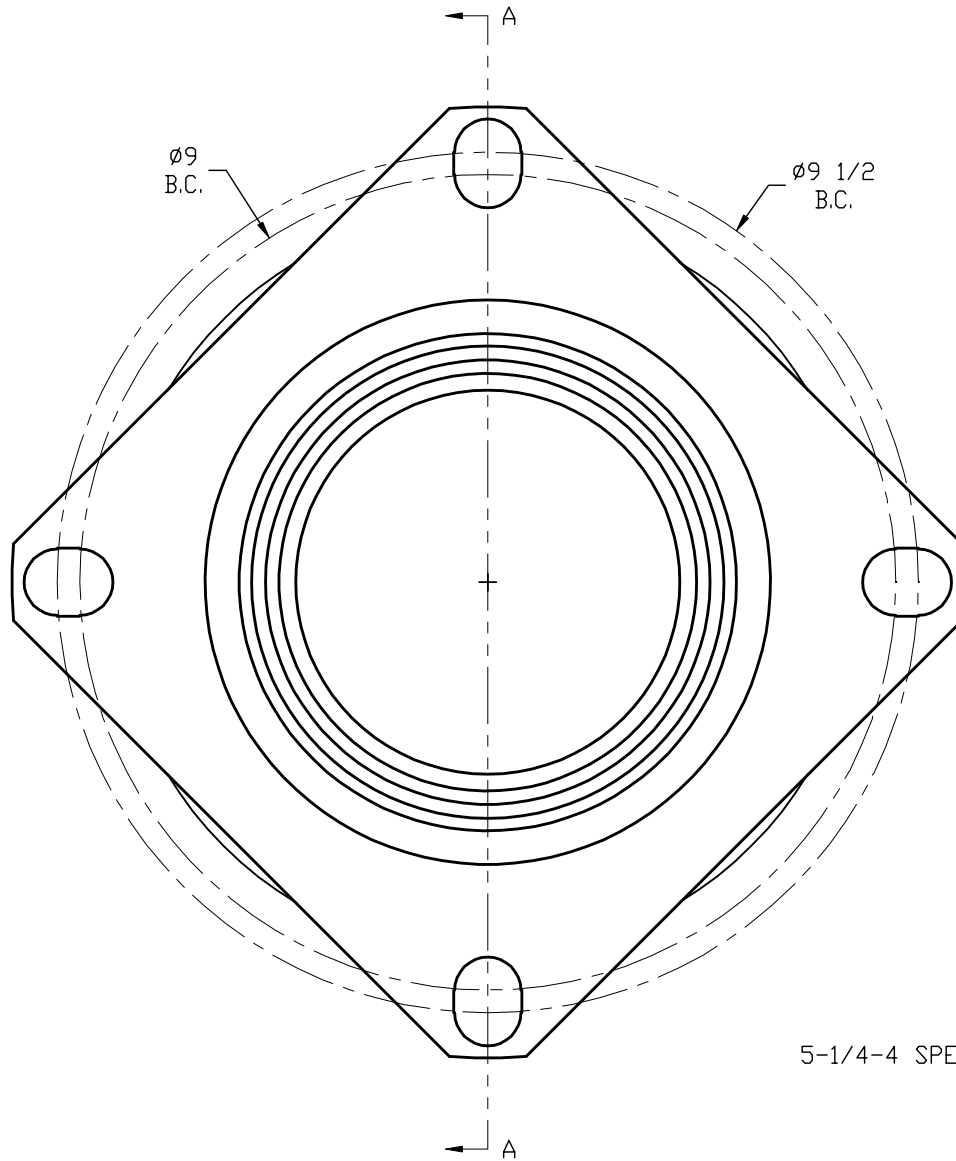


NO.	PART NAME	PART #	REQ'D	MATERIAL
1	FLANGE 4 STD SS	TC4DLJWSS	1	316 SS
2	GASKET 6 1/2X8 1/4 NEOPRENE	FG6582508	1	NEOPRENE



5-1/4-4 SPECIAL 2A THREAD

NOTE:  
FITS 6" WAFER SPHERE VALVE & MIDLAND A-565 VALVE.

REV	BY	DATE	DESCRIPTION
UNLESS OTHERWISE SPECIFIED DIMENSIONAL TOLERANCES			
FRACTIONAL	±1/16	DRAWN BY: PJG    CHKD BY: KRSJ    SCALE: 1:1    APPROVAL DATE:	
X.XX	±0.03		
X.XXX	±0.015		
ANGULAR	±1°		
<small>THIS PRINT, PROPERTY OF SALCO PRODUCTS INC. CONTAINS PROPRIETARY INFORMATION AND MUST NOT BE COPIED, REPRODUCED, OR USED IN WHOLE OR IN PART WITHOUT THE WRITTEN PERMISSION OF SALCO PRODUCTS, INC.</small>			<b>2D</b>
THIRD ANGLE PROJECTION			PROJECT # 010627    PROTOTYPE AND DATE: PJG 10-23-01    APPROVED FOR PRODUCTION:
DRAWING #: C16314			PART #: TC4DLWMSS8A