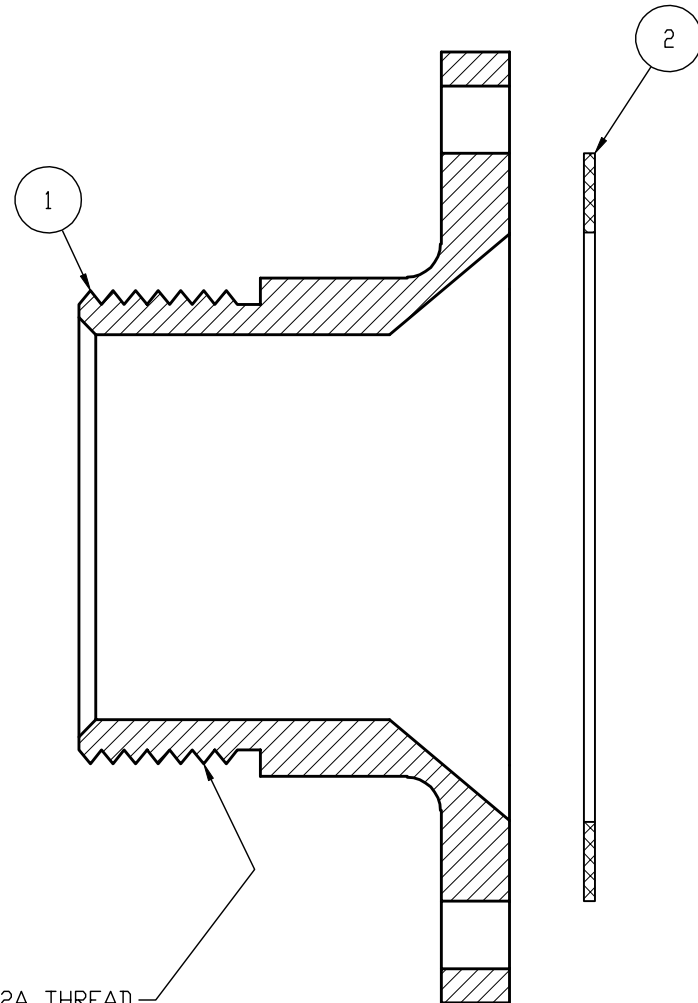
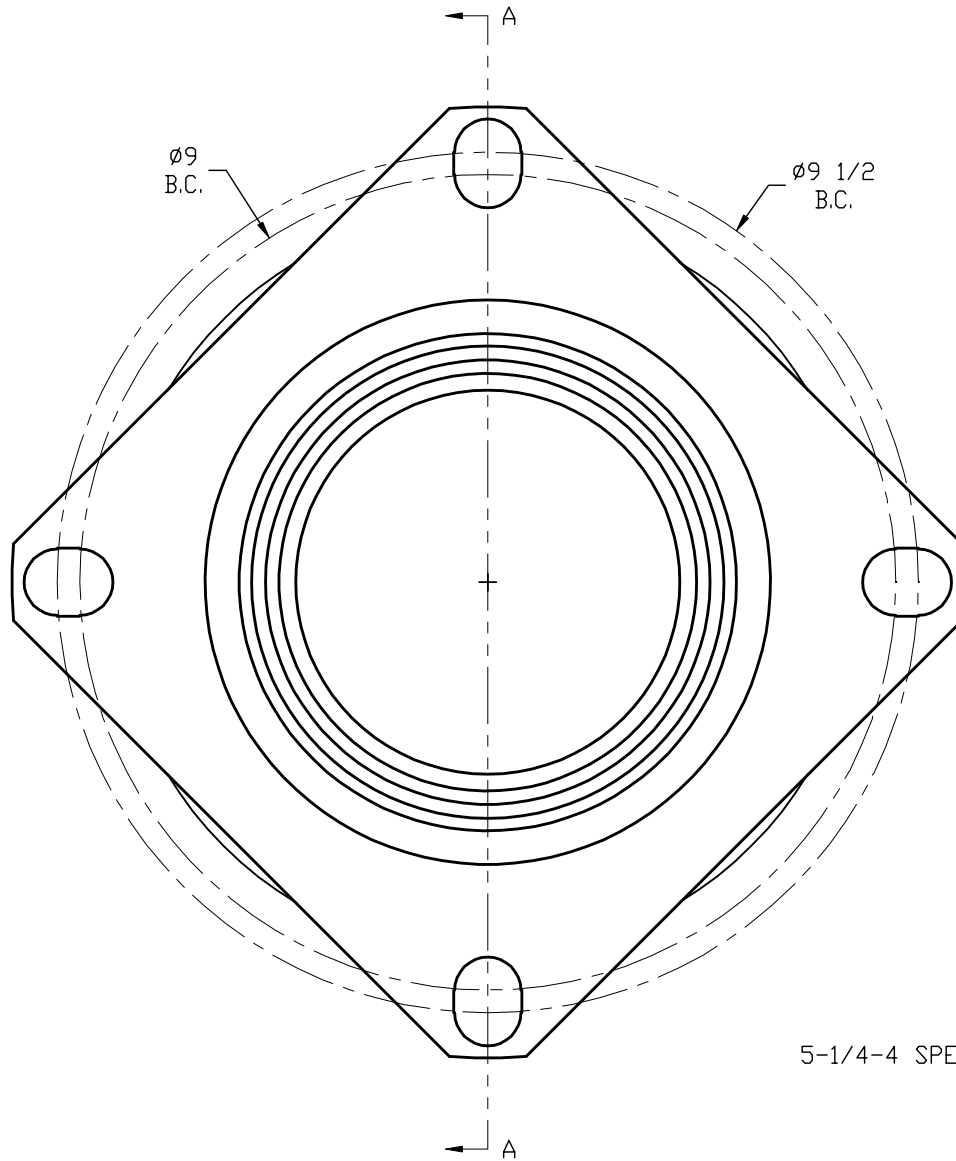


| NO. | PART NAME | PART # | REQ'D | MATERIAL |
|-----|-----------------------|-----------|-------|--------------|
| 1 | 4" THREADED DOWNLEG | TC4DLJMCS | 1 | CARBON STEEL |
| 2 | FLANGE GASKET (WHITE) | FG6582508 | 1 | NEOPRENE |



5-1/4-4 SPECIAL 2A THREAD

NOTE:
FITS 6" WAFER SPHERE VALVE & MIDLAND A-565 VALVE.

| | |
|--|--------|
| UNLESS OTHERWISE SPECIFIED DIMENSIONAL TOLERANCES | |
| FRACTIONAL | ±1/16 |
| X.XX | ±0.03 |
| X.XXX | ±0.015 |
| ANGULAR | ±1° |

THIS PRINT, PROPERTY OF SALCO PRODUCTS INC.
CONTAINS PROPRIETARY INFORMATION AND MUST
NOT BE COPIED, REPRODUCED, OR USED
IN WHOLE OR IN PART WITHOUT THE WRITTEN
CONSENT OF SALCO PRODUCTS INC.

THIRD ANGLE PROJECTION

| REV | BY | DATE | DESCRIPTION |
|-----|----|------|-------------|
| | | | |
| | | | |

SALCO PRODUCTS, INC. 2D

DRAWN BY: CHL CHKD BY: ACC SCALE: 1:1 APPROVAL DATE: 8-28-01

MATERIAL: SEE BOM

PART NAME: 4" THREADED DOWNLEG ASSEMBLY

PROJECT # 010627 PROTOTYPE AND DATE: APPROVED FOR PRODUCTION: ACC

DRAWING #: C16046 PART #: TC4DLWMCS8A