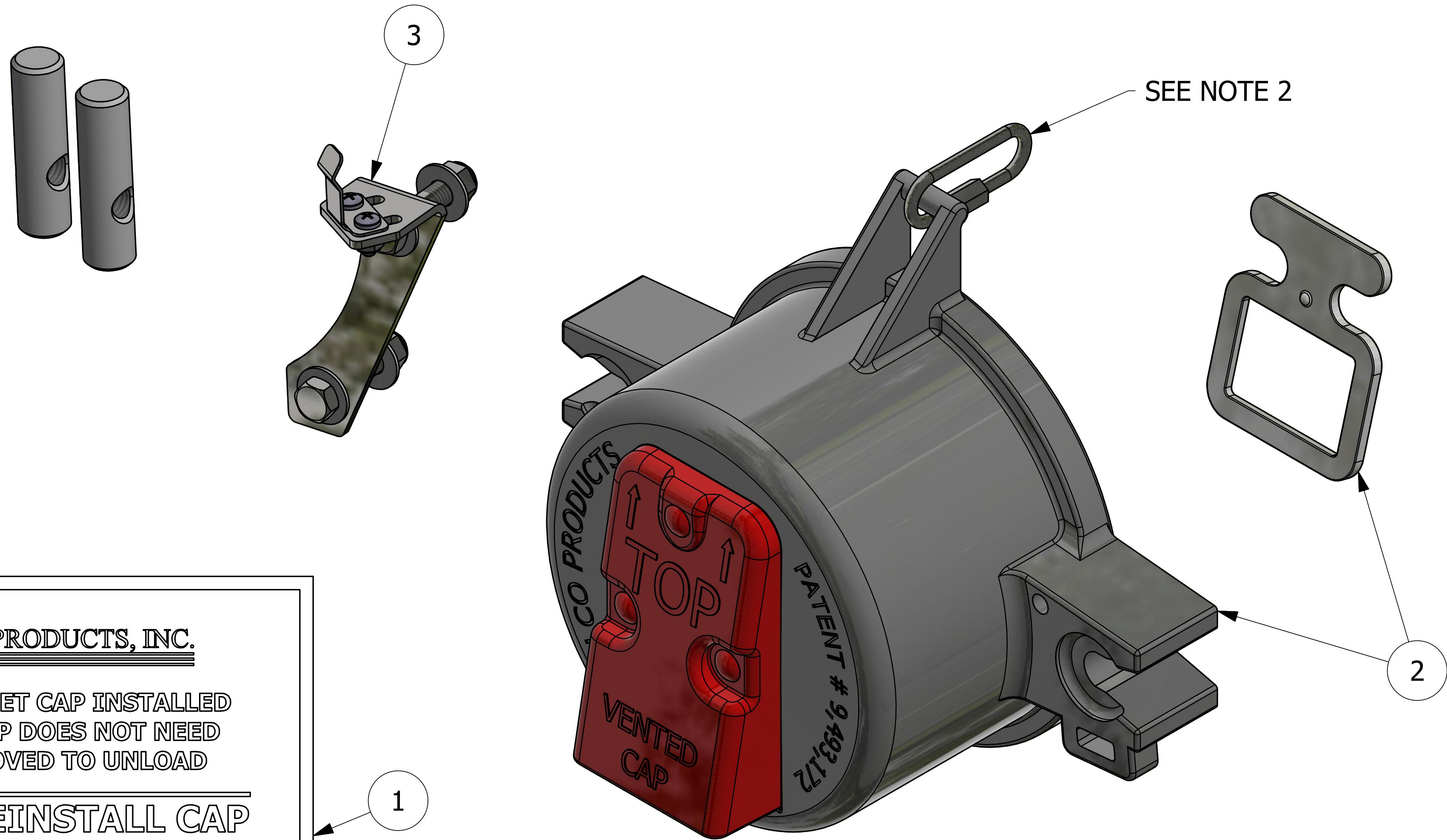


NO.	PART NAME	PART#	REQ'D	MATERIAL
1	OUTLET CAP DECAL	D51226	1	ADHESIVE BACKED VINYL
2	VENTED OUTLET CAP ASSEMBLY, ARI 5135/5235, 5236 GATE	RP205VOCA	1	ABS/SS
3	BRACKET ASSEMBLY, ARI 5236 GATE	VOCHDW36	1	CS/SS




**SALCO PRODUCTS, INC.**  
 VENTED OUTLET CAP INSTALLED  
 FAR SIDE CAP DOES NOT NEED  
 TO BE REMOVED TO UNLOAD  



---

**PLEASE REINSTALL CAP**  


---

 WHEN UNLOADING IS COMPLETE

- NOTES:**
- CAP TO BE USED WITH NOZZLE GASKET ONG1115 (SOLD SEPARATELY).
  - VOCHDW36 HARDWARE KIT AND A51373 THREADED QUICK LINK OF RP205VOCA TO SHIP LOOSE. DO NOT ASSEMBLE.
  - DECAL D51226 TO BE APPLIED TO CAR ABOVE GATE.
  - CUSTOMER TO APPLY 2-3 DROPS OF LOCTITE #263 TO THE THREADS OF QUICK LINK A51373.

UNLESS OTHERWISE SPECIFIED DIMENSIONAL TOLERANCES FRACTIONAL: ±1/16 X.XX: ±.03 X.XXX: ±.015 ANGULAR: ±1° DEBURR ALL SHARP EDGES. ALL MACHINED SURFACES TO HAVE A 125 RMS FINISH UNLESS NOTED OTHERWISE. THIRD ANGLE PROJECTION	DRAWN BY:	CHL	A CHL 6/10/21 RELEASED FOR PRODUCTION	
	CHECKED BY:	EJF	REV BY DATE DESCRIPTION	
	PROTOTYPE DATE:	2/1/2021	 <b>SALCO PRODUCTS, INC.</b> <b>VENTED OUTLET CAP ASSEMBLY, ARI 5236 GATE</b>	
	APPROVED FOR PRODUCTION BY:	VD		
	PRODUCTION DATE:	6/10/2021	MATERIAL: <b>SEE BOM</b> PROJECT #: <b>R200707</b>	
	SIZE:	D	SHEET #: <b>1 OF 1</b> SCALE: <b>1:1</b>	
	DRAWING #:	51298	<b>RP205KIT36</b>	