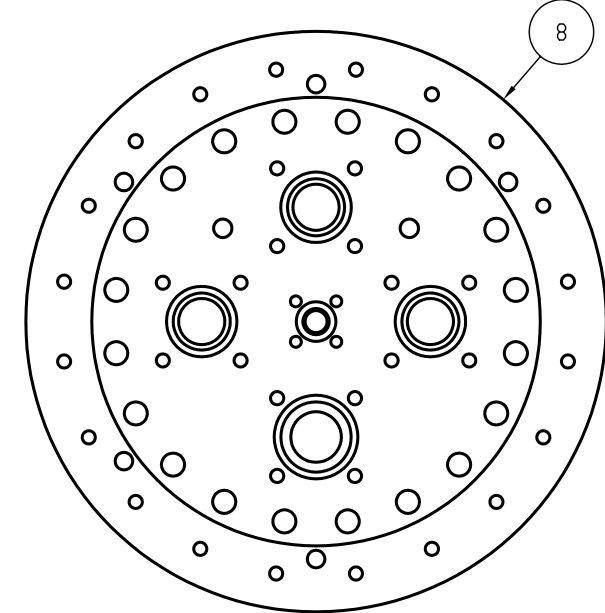
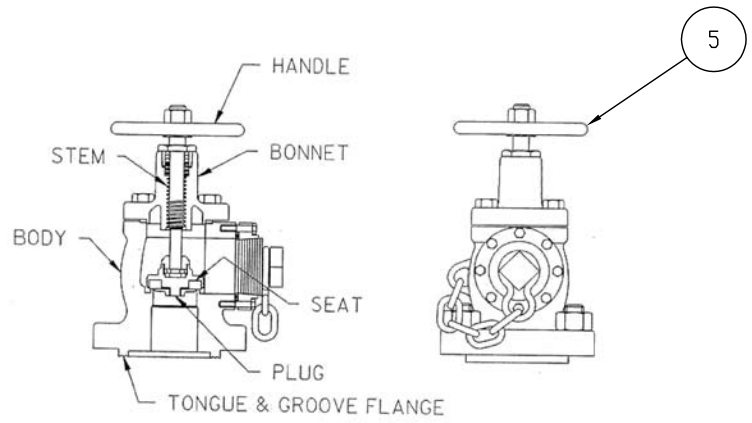
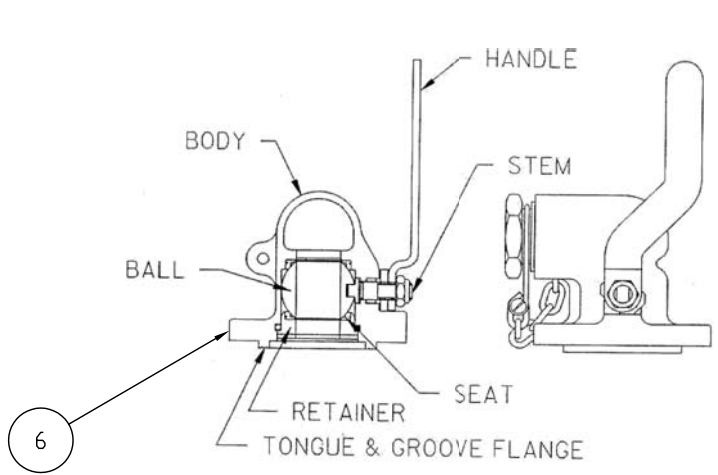
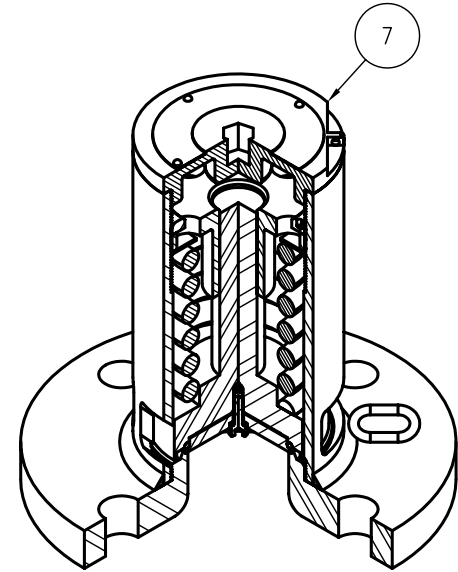
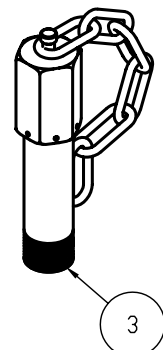
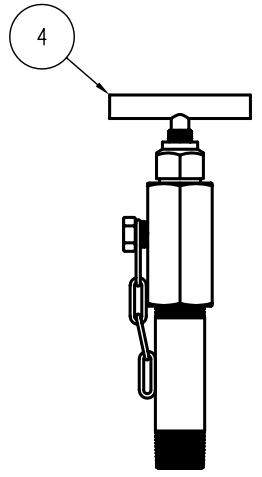
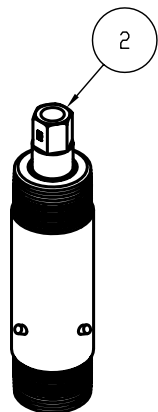
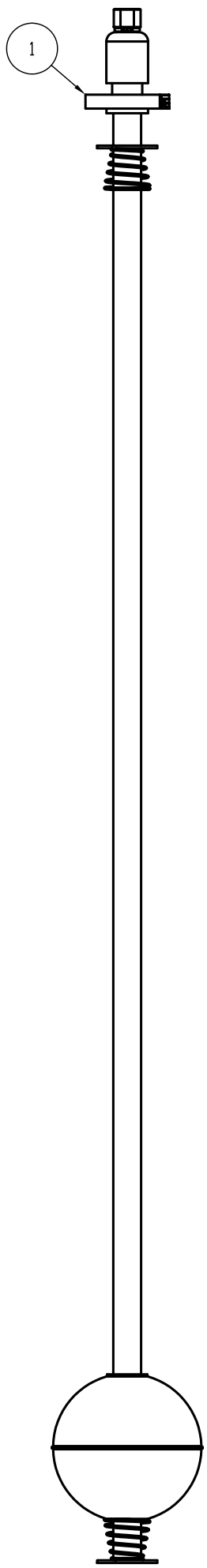


# PRESSURE TANK CAR VALVES AND FITTINGS

NO.	PART NAME
1	MAGNETIC GAUGE DEVICE
2	EXCESS FLOW VALVE
3	3/4" THERMOWELL
4	3/4" NEEDLE VALVE ASSEMBLY
5	ANGLE PLUG VALVE
6	ANGLE BALL VALVE
7	PRESSURE RELIEF VALVE
8	PRESSURE PLATE
9	FRA APPROVED REFLECTIVE MATERIAL



**Pressure Relief Valves**

Manufacturer	Description	AAR Approval #	Salco Part#
ARI	Pressure Relief Valve 225 psi	SRD-911023	AR4V201200
Tyco	Pressure Relief Valve 1 1/3" 375 psi	SRD-989035	015-JQ-375-HS-ASSY
Salco	Pressure Relief Valve	Service Trial	

**Angle Valves**

Manufacturer	Description	AAR Approval #	Salco Part#
ARI	Angle Plug Valve 2"	E-901035	AR6C170700
ARI	Angle Plug Valve 2"	E-901035	AR6C170701
ARI	Angle Ball Valve 2"x1 1/2"	E-901034	AR6F614701
ARI	Angle Ball Valve 2"x1 1/2"	E-901034	AR6F614702
TYCO	Angle Valves 2"	E-889031	TVD9212

**Plug Valves**

Manufacturer	Description	AAR Approval #	Salco Part#
Flowserve	Plug Valve 2" Flanged	E-999017	DURT-41-2A
Flowserve	Plug Valve 3" Flanged	E-999017	DURT-41-3A

**Fasteners:**

All size fasteners are available upon request.  
Teflon coated fasteners are also available.  
Call your SALCO Representative for details.

**Excess Flow**

Manufacturer	Description	AAR Approval #	Salco Part#
ARI	Excess Flow Valve	E-961036	AR6C187300
ARI	Excess Flow Valve	E-961036	AR6C187301

**Ball Valves**

Manufacturer	Description	AAR Approval #	Salco Part#
Conbraco	Ball Valve 1/4" Threaded	E-989054	CA96-101
Conbraco	Ball Valve 2" Flanged x Threaded	E-009008	CA87A-388-A0
Conbraco	Ball Valve 3" Flanged x Threaded	E-009009	CA87A-380-A0
Xomox	Ball Valve 2" Flanged	E-029016	XO93B437L
Xomox	Ball Valve 3" Flanged	E-029016	XO93B43BL
Xomox	Ball Valve 2" Flanged	E-029015	XO93B432L
Xomox	Ball Valve 3" Flanged	E-029015	XO93B433L

**Pressure Plate Parts**

Manufacturer	Description	AAR Approval #	Salco Part#
SALCO	Magnetic Gauge Device	E-999018	MGD1000
SALCO	Pressure Plate		Call Salco
SALCO	3/4" Thrmowell		Call Salco
SALCO	3/4" Needle Valve Assembly		Call Salco

**Gaskets:**

SALCO offers a full line of gaskets and gasket materials  
Call your SALCO Representative for details.

**DURLON® Gaskets; Typical Tankcar Torque Values<sup>1</sup>**

Component	Material	Style or bolt dia.	Gasket Material/Dimensions			Torque (ft-lbs)	
			Thk.	OD	ID	Dry	Lubricated
Manway Cover	Durlon 9000 or Durlon 8500	UTC-1	1/8"	21-1/2"	19-7/16"	210	210
		AAR-1	1/8"	21-5/8"	19-1/2"	210	210
Angle Valve		-	1/8"	9-1/4"	7-3/8"	195	185-200
		-	1/8"	4-3/4"	4"	135	80-135
Safety Valve		-		5-1/2"	3-5/8"	202	180
Bottom Outlet	Durlon 9000 Step*		1/8"	7-1/8"	4-1/2"	45	45
	Durlon 9000/8500		1/8"	8-1/4"	7-1/4"	70	60-80

**Pressure Cars**

Manway / Base (pressure) Plate	Durlon 9000	1-1/8"	1/8"	20-1/4"	19-1/4"	717	609
			1/8"	22-1/4"	21-1/4"	717	609
Angle Valve / Gauging Device	Durlon 9000	3/4"	1/8"	2-1/4"	1-1/2"	198/ 218 (C)	168/ 185 (C)
			1/8"	4"	3-1/4"	198/ 218 (C)	168/ 185 (C)
Safety	Durlon 9000	3/4"	1/8"	4-3/4"	4"	198/ 218 (C)	168/ 185 (C)
		7/8"	1/8"	6-3/4"	6"	321/ 353 (C)	273/ 300 (C)
Gauging Device	Durlon 9000	5/8"	1/8"	2-1/4"	1-1/2"	110/ 121 (C)	94/ 103 (C)
		3/4"	1/8"	2-1/4"	1-1/2"	198/ 218 (C)	168/ 185 (C)

<sup>1</sup> Number of bolts, bolt grade and lubrication can vary. \* Special configuration. (C) designates a torque using a crow's foot wrench.

For torque worksheet by carset, contact GRI Technical Services at 713-467-1316 or tech@durlon.com.